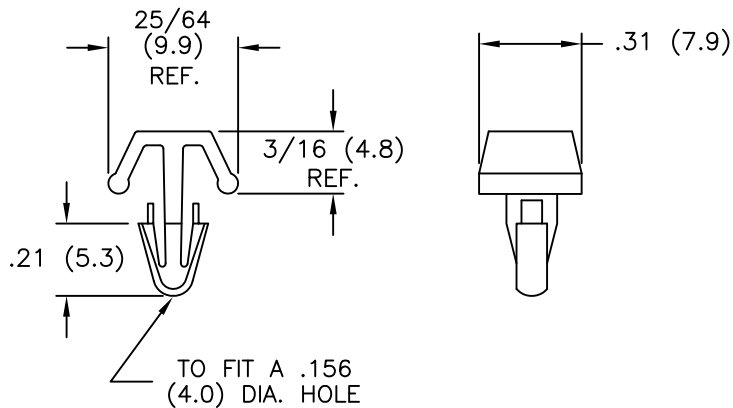
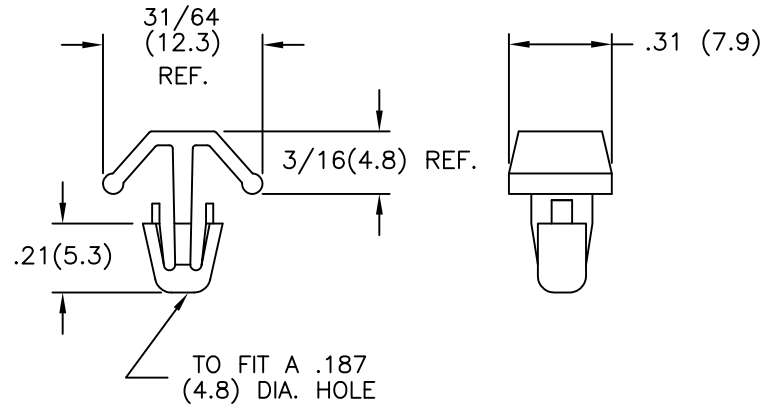


PART NUMBER		"T" RECOMMENDED
MB-1-156	MB-1-187	1/32-3/32 (0.8-2.4)
MB-3-156	MB-3-187	3/32-5/32 (2.4-4.0)
MB-5-156	MB-5-187	5/32-7/32 (4.0-5.6)
MB-7-156	MB-7-187	7/32-9/32 (5.6-7.1)
MB-9-156	MB-9-187	9/32-11/32 (7.1-8.7)
MB-11-156	MB-11-187	11/32-13/32 (8.7-10.3)
MB-13-156	MB-13-187	13/32-15/32 (10.3-11.9)
MB-15-156	MB-15-187	15/32-17/32 (11.9-13.5)
MB-17-156	MB-17-187	17/32-19/32 (13.5-15.1)



P/N MB-156



P/N MB-187

NOTES:

1. MATERIAL: NYLON 6/6 (RMS-01).  
FLAME RETARDANT, NYLON (RMS-19),  
AVAILABLE BY SPECIAL ORDER ONLY.
2. COLOR: NATURAL.

E SEE CO 200191 FOR CHANGES SK 05.23.08 D SEE CO 200154 FOR CHANGES SK 04.07.08 C CHANGED FILE NO. AND TITLE BLOCK SM 05.17.01 B MAT'L RMS-19 ADDED. J.L. 7.9.98 A CHANGED CHART TO PANEL RANGE JB 08.15.96 REV DESCRIPTION ENGR DATE			TOLERANCES UNLESS NOTED .XX=±.010 .XXX=±.005 FRAC=±1/64 ANG=±1°			TITLE: MOUNTING BUTTON FILE # MB MAT'L: SEE NOTES RE: RICHCO, INC.		DWN: R.S. DT: 11-10-93 APP: DT: RICHCO INC. PO BOX 804238, CHICAGO, 60680 (773) 539-4060		DWG IN IN (MM) FINAL PART # SEE TABLE PRINT TYPE CA	
--	--	--	---	--	--	---	--	--	--	---	--